

Date:	Project:
Prepared for:	Type:
Comments:	

RUNNING MAN LED SIGN (METAL)

STEEL | DOUBLE-SIDED



5 Years



Lifetime
50 000 hours



IP40
Suitable for use in damp locations



SPECIFICATIONS

Interchangeable Stencils
Double-Sided

Surface-Mount/Wall-Mount

IP40 - Suitable for Damp Locations

Functioning Temperature: 4°C to 32°C

AVAILABILITY

1W

5000K

Integrated Battery / No Battery



*This icon indicates a STOCK item:

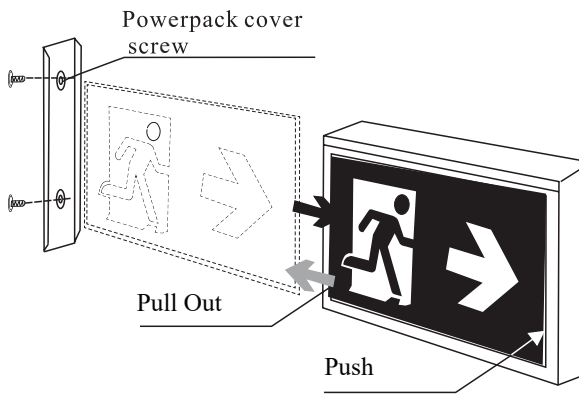
Look for this Same Day Shipping icon below in 'Ordering Information' for products that ship on the same day (orders placed before 3pm) from Montreal, Quebec / Calgary, Alberta



PRODUCT SIZE



CHANGING THE STENCIL



INCLUDED STENCILS



2 x
Running Man
Arrow Facing Left or Right



1 x
Running Man
No Arrow



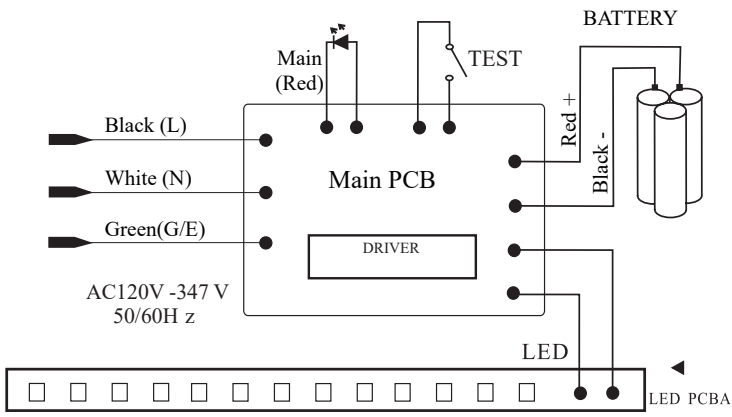
GET YOUR PRODUCTS FAST

Arani is committed to same day shipping on orders before 3pm*.

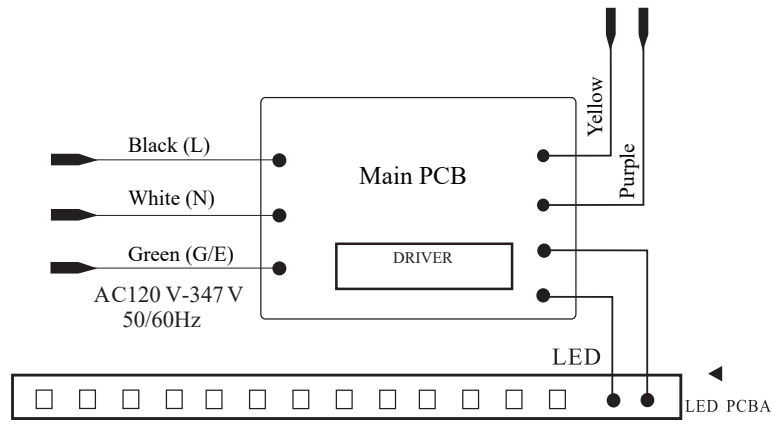
ORDERING INFORMATION

SERIES	POWER (WATTS)	COLOR TEMP	INTEGRATED BATTERY?	BATTERY LIFE	INPUT VOLTAGE	MODEL NUMBER
METAL RUNNING MAN SIGN	1	5000K	YES	2+ HOURS	120-277VAC / 347V	EX-RM2-1W-BA-V1 
			NO	N/A	6-24VDC / 120-277VAC / 347V	EX-RM2-1W-DC-V1 

CIRCUITRY



EX-RM2-1W-BA-V1



EX-RM2-1W-DC-V1

